

GV-EBL1100 Series 1.3MP H.264 Low Lux WDR IR Bullet IP Camera



- 1/3" progressive scan low lux CMOS
- Dual streams from H.264 and MJPEG
- Up to 30 fps at 1280 x 1024
- Intelligent IR
- Day and Night function (with removable IR-cut filter)
- Wide Dynamic Range (WDR)
- Defog
- Vandal resistance (IK10 for metal casing)
- Ingress protection (IP67)
- Motion detection
- Tampering alarm
- Text overlay
- Privacy mask
- IP address filtering
- DC 12V / PoE (IEEE 802.3af)
- Megapixel lens
- Recording assigned by GV-Edge Recording Manager (Windows & Mac)
- Supports iPhone, iPad, Android & 3GPP
- 31 languages on Web interface
- ONVIF (Profile S) conformant
- More storage option - NAS

Introduction

The Target Bullet Camera is a light-weighted cameras designed for outdoor environments. It adheres to the IP67 standard and has full protection against dust and jets of water. The camera offers an entry-level surveillance solution with all the essential features and excellent image quality.

Models

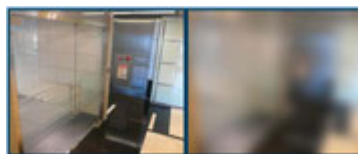
Model	Iris	Focal Length (mm)	Maximum Aperture	Image Format
GV-EBL1100-1F	Fixed	6	F/1.8	1/2.7"
GV-EBL1100-2F	Fixed	3.8	F/1.8	1/2.7"

Active Tampering Alarm

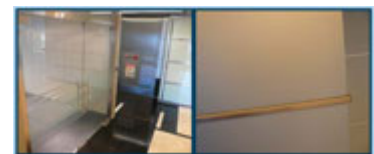
Tampered



Focus Change



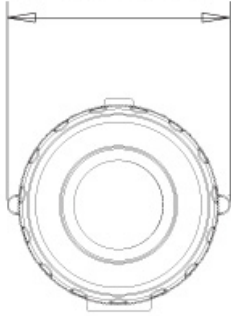
Camera Shift



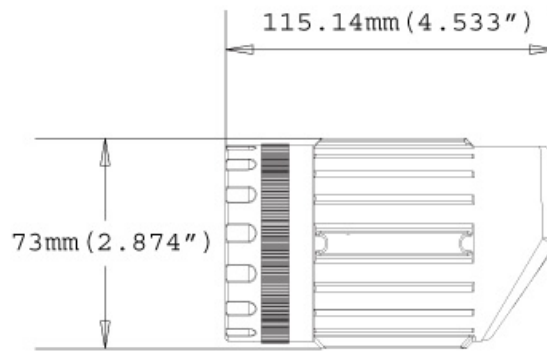
Overview

Dimensions

76.6mm (3.016")



115.14mm (4.533")



73mm (2.874")

Panel



Specifications

Camera		GV-EBL1100-1F	GV-EBL1100-2F
Image Sensor		1/3" progressive scan low lux CMOS	
Picture Elements		1280 (H) x 1024 (V)	
Minimum Illumination	Color	0.05 Lux	
	B/W	0.03 Lux	
	IR ON	0 Lux	
Shutter Speed		Automatic, manual (1/5 ~ 1/8000 sec.)	
White Balance		Automatic, manual (2800K ~ 8500K)	
Gain Control		Automatic	
S/N Ratio		50 dB	
WDR		Yes	
Lens			
Megapixel		Yes	
Day/Night		Yes (with removable IR-cut filter)	
Lens Type		Fixed	
Focal Length		6 mm	3.8 mm
Maximum Aperture		F/1.8	
Mount		M12, Pitch 0.5 mm	
Horizontal FOV		44°	64°
Image Format		1/2.7"	
Operation	Focus	Fixed	
	Zoom	Fixed	
	Iris	Fixed	
IR LED Quantity		24 IR LEDs	
Max. IR Distance		30 m (98.4 ft)	
Operation			
Video Compression		H.264, MJPEG	
Video Stream		Dual streams from H.264 and MJPEG	
Frame Rate		30 fps at 1280 x 1024 *The frame rate and the performance may vary depending on the number of connections and data bitrates (different scenes).	
Image Setting		Brightness, Contrast, Saturation, Sharpness, Gamma, White Balance, Flicker-less, Image Orientation, Shutter Speed, D/N Sensitivity, Backlight Compensation, WDR, Defog	
Audio Support		No	
Video Resolution			
Main Stream	4 : 3	1280 x 960, 640 x 480, 320 x 240	
	16 : 9	1280 x 720, 640 x 360, 448 x 252	
	5 : 4	1280 x 1024, 640 x 512, 320 x 256	
Sub Stream	4 : 3	640 x 480, 320 x 240	
	16 : 9	640 x 360, 448 x 252	
	5 : 4	640 x 512, 320 x 256	
Network			
Interface		10/100 Ethernet	
Protocol		DHCP, DynDNS, FTP, HTTP, HTTPS, NTP, ONVIF (Profile S), QoS (DSCP), RTSP, SNMP, SMTP, TCP, UDP, UPnP, 3GPP/ISMA	
Mechanical			
Connectors	Power	2-pin terminal block, PoE	
	Ethernet	Ethernet (10/100 Base-T), RJ-45 cable	
General			
Environment Temperature	Start-up	-20°C ~ 50°C (-4°F ~ 122°F)	
	Operation	-30°C ~ 50°C (-22°F ~ 122°F)	
Humidity		10% to 90% (no condensation)	
Power Source		12V DC / PoE (IEEE 802.3af)	
Max. Power Consumption		7.8 W	
Dimensions		115 x 76 x 73 mm (4.5" x 3.0" x 2.9")	
Weight		547 g (1.20 lb)	
Ingress Protection		IP67	
Vandal Resistance		IK10 for metal casing	
Regulatory		CE, FCC, C-Tick, RCM, RoHS compliant	

Power over Ethernet	
PoE Standard	PoE (IEEE 802.3af Power over Ethernet / PD)
PoE Power Supply Type	End-span
PoE Power Output	Per Port 48V DC, 350 mA, Max. 15.4 watts
Web Interface	
Installation Management	Web-based configuration
Maintenance	Firmware upgrade through Web Browser or Utility
Access from Web Browser	Camera Live View, Video Recording, Change Video Quality, Bandwidth Control, Image Snapshot, Picture in Picture, Picture and Picture, Privacy Mask, Tampering Alarm, Text Overlay, Digital PTZ
Language	Arabic / Bulgarian / Czech / Danish / Dutch / English / Finnish / French / German / Greek / Hebrew / Hungarian / Indonesian / Italian / Japanese / Lithuanian / Norwegian / Persian / Polish / Portuguese / Romanian / Russian / Serbian / Simplified Chinese / Slovakian / Slovenian / Spanish / Swedish / Thai / Traditional Chinese / Turkish
Application	
Network Storage	GV-System (GV-DVR/NVR), GV-Recording Server, GV-VMS
Smart Device Access	GV-Eye for Android smartphone, tablet, iPhone and iPod Touch GV-Eye HD for iPad
Live Viewing	IE, mobile phone
CMS Server support	GV-Control Center, GV-Center V2, GV-Vital Sign Monitor

Note:


1. The signal range and data throughput may vary depending on the network conditions and environmental factors.
2. Specifications are subject to change without notice.

Packing List

- | | |
|----------------------------------|---------------------------------|
| 1. Target Bullet Camera | 7. Screw for sun-shield cover |
| 2. Sun-Shield Cover | 8. Washer |
| 3. Silica Gel Tape x 2 | 9. Terminal Block |
| 4. Supporting Rack | 10. GV-IPCAM H.264 Software DVD |
| 5. Screw for supporting rack x 3 | 11. GV-NVR Software DVD |
| 6. Screw anchor x 3 | 12. Warranty Card |

Note: The power adapter can be purchased upon request.

Accessories

Name	Details
GV-PA191 PoE Adapter	Weight: 130 g (0.29 lb) Dimensions (H x W x D): 43 x 69 x 40 mm (1.69" x 2.72" x 1.57")
	
Power Adapter	Contact your sales representative for the countries and areas supported.
GV-POE Switch	The GV-POE Switch is designed to provide power along with network connection for IP devices. The GV-POE Switch is available in various models with different numbers and types of ports.